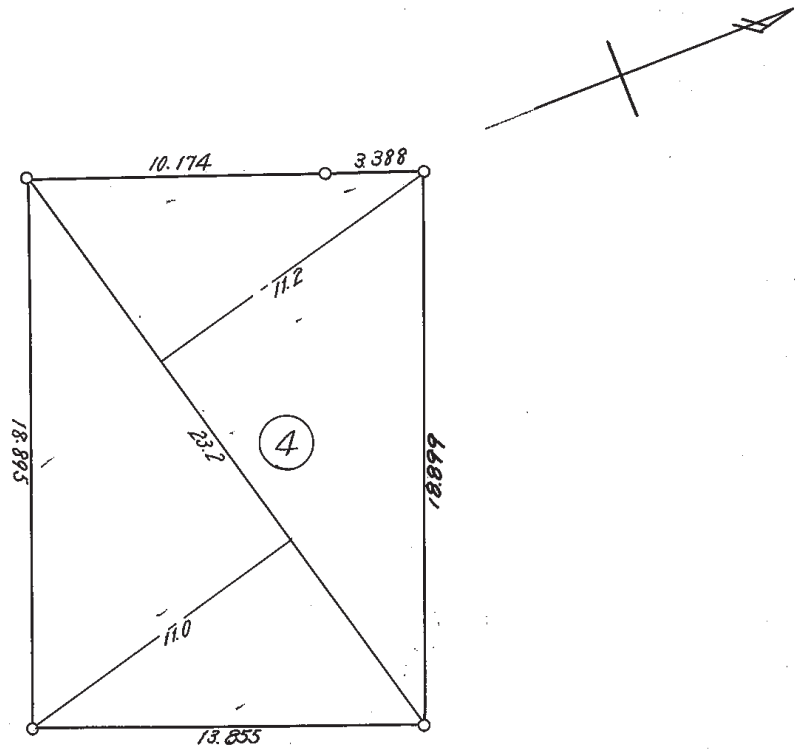


4-4

4-4 丈量図 $s = 1/300$



| 番号 | 底辺 (M) | 高さ (M) | 面積 (m ²) |
|-----|--------|--------|----------------------|
| 4 | 23.2 ✓ | 11.2 ✓ | 259.84 ✓ |
| | ✓ | 11.0 ✓ | 255.20 ✓ |
| 計 | | | 515.04 ✓ |
| 1/2 | | | 257.52 ✓ |
| | | | |